

CONTROLLERS

CONTROLLER SERIES CRA110

ESBE series CRA110 is a combined actuator and constant flow temperature controller with adjustable temperature setting within the range of 5 – 95 °C. For valves up to DN50, especially suited for ESBE 3-way valves series VRG or 4-way valves of series VRB.

OPERATION

The ESBE series CRA110 is an integrated actuator and controller, for use with mixing valves. Temperature setting is done by an easy-to-use joystick and display interface.

An alternative target temperature may be activated by an external signal.

MOUNTING

Power supply by 230 V AC adapter (complete with transformer, cable and plug) or 24 V AC (cable and plug).

Flow pipe sensor with 1.5m cable included (longer cable available as accessory). The sensor must be carefully insulated from the ambient temperature.

The CRA110 is easily mounted to the ESBE 3- and 4-way valves series G, MG, F, BIV, T, TM, H and HG, and with the valves of series VRG and VRB offer even more outstanding regulation accuracy and even simpler mounting.

OPTIONAL EQUIPMENT

ARA801 Auxiliary switch kit _____ Art. No. 1620 07 00

CRA911 Flow pipe sensor, 5m cable ____ Art. No. 1705 31 00

CRB915 GSM-module _____ Art. No. 1705 59 00

ADAPTOR KITS

Required adaptor kits for easily fitting onto an ESBE rotary mixing valve is supplied with each actuator. Adaptor kits can also be ordered separately.

Art. No.

1600 05 00 (= supplied with actuator)

ESBE valve series VRG, VRB, G, MG, F, BIV, T, TM, H, HG

Adaptor kits for other mixing valves are available as follows:

Art. No.

1600 06 00 _____ Meibes

1600 07 00 _____ Watts

1600 08 00 _____ Honeywell Corona

1600 09 00 _____ Lovato

1600 10 00 _____ PAW



CRA111/CRA115
230 VAC



CRA112
24 VAC

SUITABLE MIXING VALVES

The controller is supplied complete with an adaptor kit for easy fitting onto an ESBE rotary mixing valve.

- Series VRG100
 - Series VRG200
 - Series VRG300
 - Series VRB100
 - Series MG*
 - Series G
 - Series F ≤ DN50
 - Series BIV
 - Series T and TM
 - Series H and HG
- * Not 5MG

TECHNICAL DATA

Ambient temperature: _____ max. +55°C
_____ min. -5°C

Temperature range:

Flow pipe sensor _____ +5 to +95°C

Enclosure rating: _____ IP41

Protection class: _____ II

Power supply: _____ 24 ± 10% V AC, 50/60 Hz

_____ 230 ± 10% V AC, 50 Hz

Power consumption - 24 V AC: _____ 3 VA

- 230 V AC: _____ 10 VA

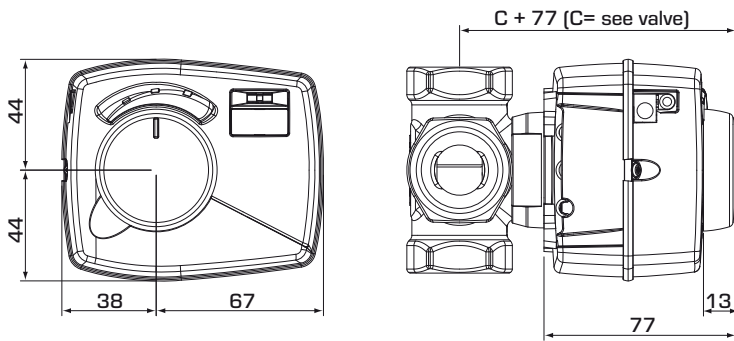
Torque: _____ 6 Nm

Running time at max. speed: _____ 30s

Weight: _____ 0.4 kg

CE LVD 2006/95/EC
EMC 2004/108/EC
RoHS 2011/65/EC

CONTROLLER SERIES CRA110



Installation dimensions for Controller Series
CRA110 with ESBE VRG100, VRG200,
VRG300 and VRB100 mixing valves

SERIES CRA110

Art. No.	Reference	Voltage [VAC]	Temp. range	Torque [Nm]	Note	Replaces
1272 01 00	CRA111	230	5-95°C	6	Transformer with UK plug	1270 02 00
1272 05 00	CRA115					
1272 02 00	CRA112	24				

INSTALLATION EXAMPLES

